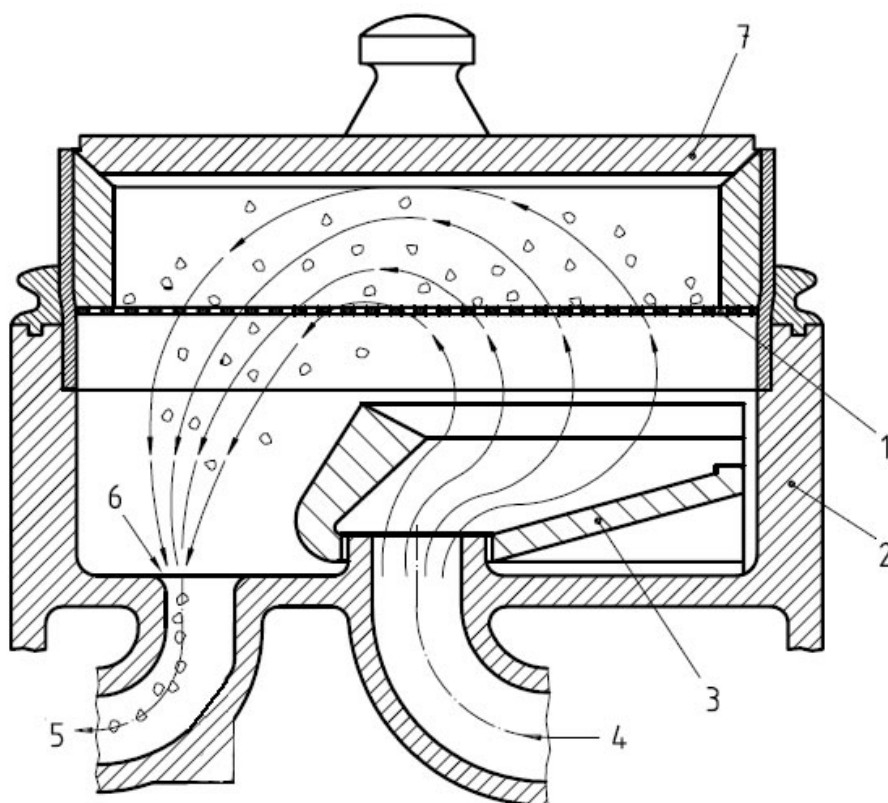


- ◇ Only an air flow drives the test material until being analyzed.
- ◇ HMK-200 Air Jet Sieving Machine eliminates any mechanical influences from tappers (bouncing balls), brushes (rotating) or ultrasonic (vibration). Such mean ensures both the accuracy and repeatability of particle size distribution by sieve analysis.
- ◇ When the rotating jet moves, it blows air continuously through the sieve to keep the particles suspended
- ◇ The exhaust air pulls the finer particles through the sieve.



- 1 Sieve
- 2 Casing
- 3 Rotating jet
- 4 Air inlet
- 5 To vacuum
- 6 Adjustable slot
- 7 Lid (preferably transparent)

[Back To Air Jet Sieve](#)